

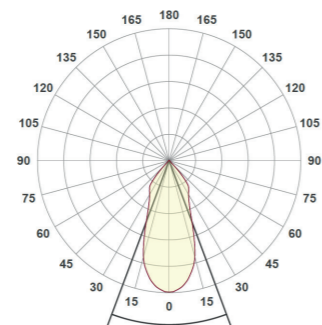
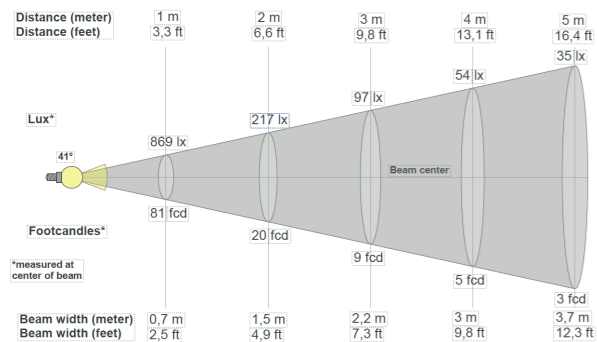
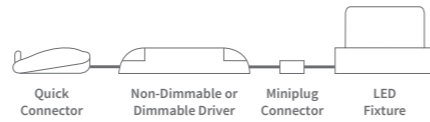
Aqua IP65

Spot Light
Round Fixed



included

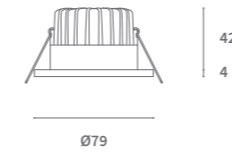
System Power	8W	
CRI	>90Ra	
CCT	2700K	3000K
System Lumen	655lm	629lm
System Efficacy	81lm/W	78lm/W
Driver	350mA Non-Dimmable or Dimmable Driver (included)	
L+B values (50.000 hr)	L80B10 (50.000h)	



PRODUCT LIST

Article No.	Product Name	Color	CCT	CRI	System Lumen	System Power	System Efficacy	Reflector	Cutout size
2.TI.1690 / 2.TI.1691 ¹	Aqua IP65	Aluminium	2700K	>90Ra	655lm	8W	81lm/W	38°	Ø 60mm
2.TI.1693 / 2.TI.1694 ¹	Aqua IP65	White	2700K	>90Ra	655lm	8W	81lm/W	38°	Ø 60mm
2.TI.1696 / 2.TI.1697 ¹	Aqua IP65	Aluminium	3000K	>90Ra	629lm	8W	78lm/W	38°	Ø 60mm
2.TI.1699 / 2.TI.1700 ¹	Aqua IP65	White	3000K	>90Ra	629lm	8W	78lm/W	38°	Ø 60mm

¹Article No. with ¹ indicates dimmable driver is included.



AVAILABLE DRIVERS

Article No.	Description
-----	DALI Dimmable driver
-----	1-10V Dimmable driver