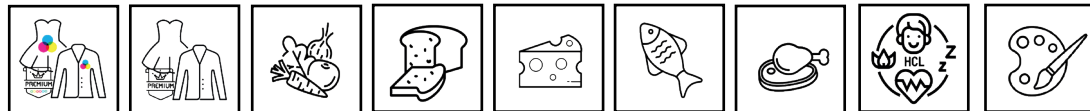


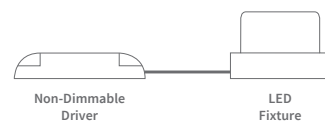
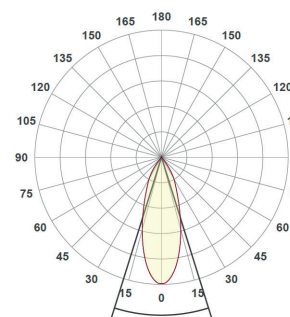
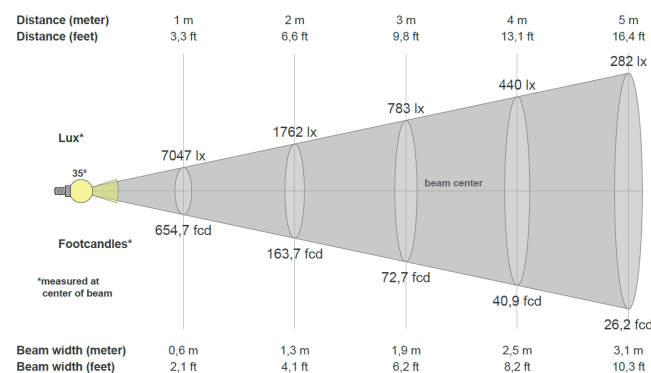
Exo

Square Cardan 1 & 2-light



| | | | | |
|-------------------------------|--------------------------------|--------|---------|---------|
| System Power | 19.5W | | 26W | |
| CRI | >90Ra | | | |
| CCT | 2700K | 3000K | 2700K | 3000K |
| System Lumen | 2237lm | 2340lm | 3053lm | 3211lm |
| System Efficacy | 115lm/W | 120m/W | 118lm/W | 124lm/W |
| LOR | Up to 85% | | | |
| Driver | Non-Dimmable Driver (included) | | | |
| SDCM | 2 | | | |
| L+B values (50.000 hr) | L90B10 (50.000h) | | | |

* Also available with other CCT's such as 3500K and 4000K
More options available! Contact us to customize your fixture down to the finest details.



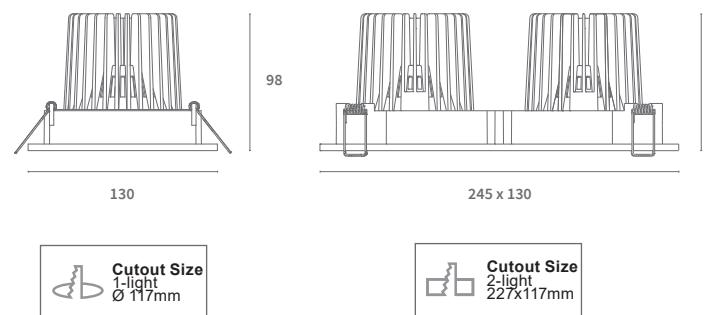
PRODUCT LIST

| Article No. | Product Name | Color | CCT | CRI | System Lumen | System Power | System Efficacy | Reflector | Cutout size |
|-------------|------------------------------|-------|-------|-------|--------------|--------------|-----------------|-----------|-------------|
| 2.11.4178 | Exo Square Tilttable 1-light | Grey | 3000K | >90Ra | 2340lm | 19.5W | 120m/W | 36° | Ø 117mm |
| 2.11.2122 | Exo Square Tilttable 1-light | White | 3000K | >90Ra | 2340lm | 19.5W | 120m/W | 36° | Ø 117mm |
| 2.11.4179 | Exo Square Tilttable 1-light | Black | 3000K | >90Ra | 2340lm | 19.5W | 120m/W | 36° | Ø 117mm |
| 2.11.2559 | Exo Square Tilttable 1-light | Grey | 3000K | >90Ra | 3211lm | 26W | 124lm/W | 36° | Ø 117mm |
| 2.11.1606 | Exo Square Tilttable 1-light | White | 3000K | >90Ra | 3211lm | 26W | 124lm/W | 36° | Ø 117mm |
| 2.11.2560 | Exo Square Tilttable 1-light | Black | 3000K | >90Ra | 3211lm | 26W | 124lm/W | 36° | Ø 117mm |

PRODUCT LIST

| Article No. | Product Name | Color | CCT | CRI | System Lumen | System Power | System Efficacy | Reflector | Cutout size |
|-------------|------------------------------|-------|-------|-------|--------------|--------------|-----------------|-----------|-------------|
| 2.11.4180 | Exo Square Tilttable 2-light | Grey | 3000K | >90Ra | 2 x 2340lm | 2 x 19.5W | 2x 120m/W | 36° | 227 x 117mm |
| 2.11.2118 | Exo Square Tilttable 2-light | White | 3000K | >90Ra | 2 x 2340lm | 2 x 19.5W | 2x 120m/W | 36° | 227 x 117mm |
| 2.11.4181 | Exo Square Tilttable 2-light | Black | 3000K | >90Ra | 2 x 2340lm | 2 x 19.5W | 2x 120m/W | 36° | 227 x 117mm |
| 2.11.2561 | Exo Square Tilttable 2-light | Grey | 3000K | >90Ra | 2 x 3211lm | 2 x 26W | 2x 124lm/W | 36° | 227 x 117mm |
| 2.11.2064 | Exo Square Tilttable 2-light | White | 3000K | >90Ra | 2 x 3211lm | 2 x 26W | 2x 124lm/W | 36° | 227 x 117mm |
| 2.11.2562 | Exo Square Tilttable 2-light | Black | 3000K | >90Ra | 2 x 3211lm | 2 x 26W | 2x 124lm/W | 36° | 227 x 117mm |

Also available: CRI >80Ra
This is a small selection from our portfolio. Please contact us for a suitable solution for your lighting project.



Delight Online

1-light



AVAILABLE BEAM ANGLES

| Article No. | Description |
|-------------|--------------------------|
| 5.14.0149 | Reflector 15° for Exo |
| 5.14.0150 | Reflector 24° for Exo |
| 5.14.0152 | Reflector 60° for Exo |
| 2.01.0973 | Honeycomb Louvre for Exo |

AVAILABLE DRIVERS

| Article No. | Description |
|-------------|-----------------|
| ----- | Dimmable driver |