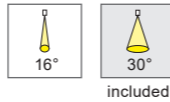
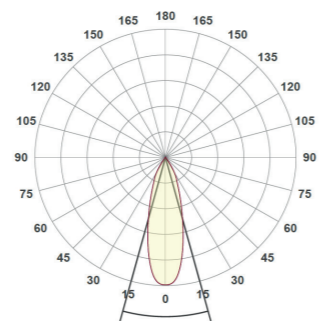
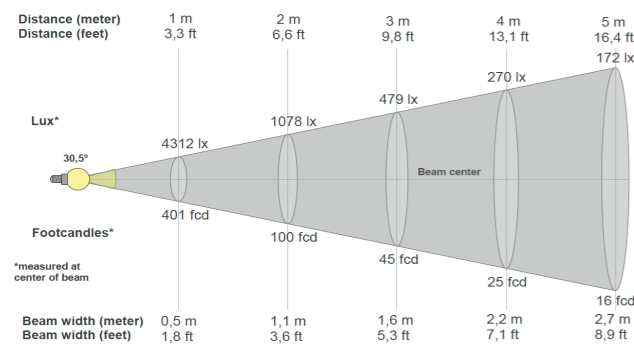
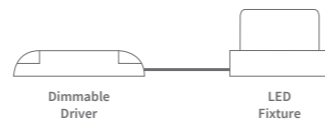


Focus V2

Spot Light
Tiltable



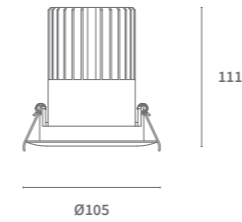
System Power	20W	20,2W	19W
CRI	>90Ra		
CCT	2700K	3000K	4000K
System Lumen	157lm	1637lm	1918lm
System Efficacy	79lm/W	81lm/W	101lm/W
LOR	Up to 90%		
Driver	Non-Dimmable or Dimmable Driver (included)		
	Leading Edge / Trailing Edge / 1-10V		
L+B values (50.000 hr)	L80B10 (50.000h)		



PRODUCT LIST

Article No.	Product Name	Color	CCT	CRI	System Lumen	System Power	System Efficacy	Reflector	Cutout size
2.11.4235 / 2.11.4017 ¹	Focus V2 Tilttable	Chrome	2700K	>90Ra	157lm	20W	79lm/W	30°	Ø 90mm
2.11.4106 / 2.11.4018 ¹	Focus V2 Tilttable	Brushed Alu.	2700K	>90Ra	157lm	20W	79lm/W	30°	Ø 90mm
2.11.4107 / 2.11.4019 ¹	Focus V2 Tilttable	Sandy White	2700K	>90Ra	157lm	20W	79lm/W	30°	Ø 90mm
2.11.4108 / 2.11.4020 ¹	Focus V2 Tilttable	Black	2700K	>90Ra	157lm	20W	79lm/W	30°	Ø 90mm
2.11.4236 / 2.11.4021 ¹	Focus V2 Tilttable	Chrome	3000K	>90Ra	1637lm	20,2W	81lm/W	30°	Ø 90mm
2.11.4109 / 2.11.4022 ¹	Focus V2 Tilttable	Brushed Alu.	3000K	>90Ra	1637lm	20,2W	81lm/W	30°	Ø 90mm
2.11.4110 / 2.11.4023 ¹	Focus V2 Tilttable	Sandy White	3000K	>90Ra	1637lm	20,2W	81lm/W	30°	Ø 90mm
2.11.4111 / 2.11.4024 ¹	Focus V2 Tilttable	Black	3000K	>90Ra	1637lm	20,2W	81lm/W	30°	Ø 90mm
2.11.4237 / 2.11.4025 ¹	Focus V2 Tilttable	Chrome	4000K	>90Ra	1918lm	19W	101lm/W	30°	Ø 90mm
2.11.4112 / 2.11.4026 ¹	Focus V2 Tilttable	Brushed Alu.	4000K	>90Ra	1918lm	19W	101lm/W	30°	Ø 90mm
2.11.4113 / 2.11.4027 ¹	Focus V2 Tilttable	Sandy White	4000K	>90Ra	1918lm	19W	101lm/W	30°	Ø 90mm
2.11.4114 / 2.11.4028 ¹	Focus V2 Tilttable	Black	4000K	>90Ra	1918lm	19W	101lm/W	30°	Ø 90mm

¹Article No. with ¹ indicates dimmable driver is included.



AVAILABLE DRIVERS

Article No.	Description
-----	DALI Dimmable driver