

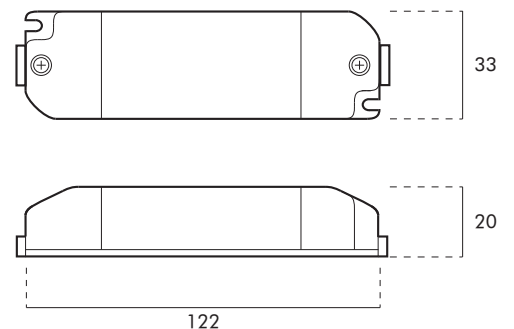
PLKE 350/700mA - 12/24V

LED Driver Constant Current / Constant Voltage

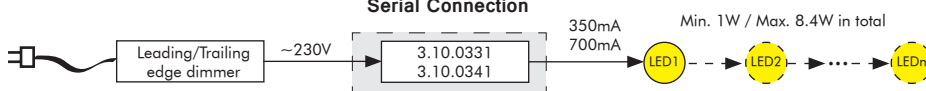
Dimmable



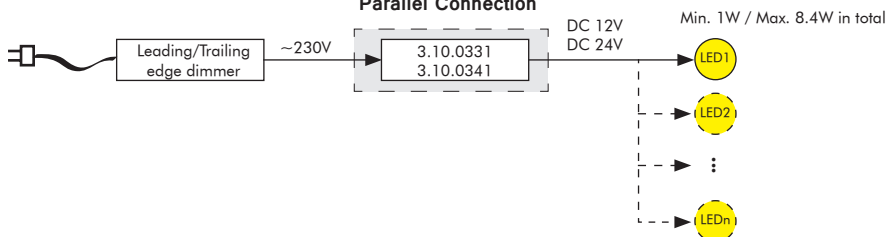
Product Information	Input Voltage	230V AC	
	Output Voltage	Max. 24V	Max. 12V
	Output Current	350mA	700mA
	Output Power	Min. 1W / Max. 8.4W	
	Power Factor	≥0.93	
	LED Connection	Series or Parallel Connection	
	Dimmable with	Leading/Trailing edge dimmer	



Dimmable LED Driver Serial Connection



Dimmable LED Driver Parallel Connection



Product List	Article No.	Product Name
	3.10.0331	LED Driver CC/CV PLKE1060 350mA / 24V DC 8.4W primary dimmable
	3.10.0341	LED Driver CC/CV PLKE3030 700mA / 12V DC 8.4W primary dimmable