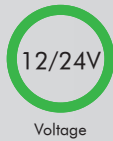
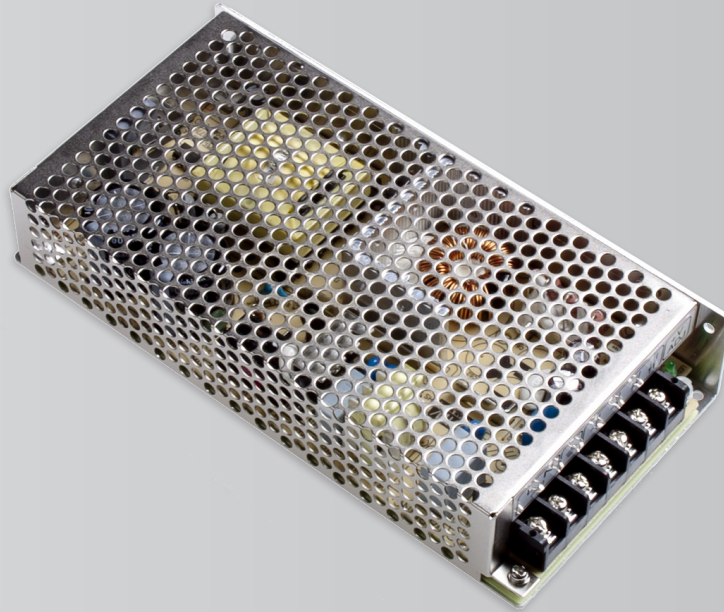


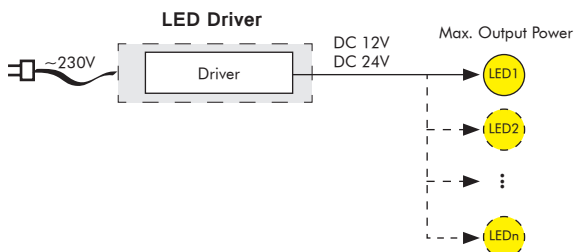
# Idis 12V/24V

## LED Driver Constant Voltage

Non-Dimmable



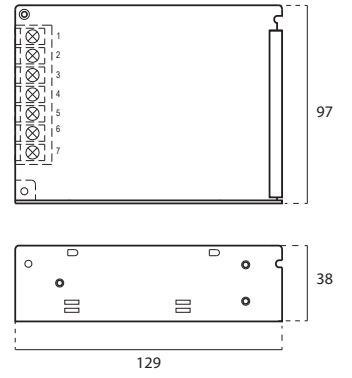
Product Information	<b>Input Voltage</b>	230V AC						
	<b>Output Voltage</b>	12V DC	24V DC	12V DC	24V DC	24V DC	12V DC	24V DC
	<b>Output Current</b>	Max. 6A	Max. 3.2A	Max. 8.5A	Max. 4.5A	Max. 6.5A	Max. 16.7A	Max. 8.4A
	<b>Output Power</b>	Max. 75W		Max. 100W		Max. 150W	Max. 200W	
	<b>Power Factor</b>	>0.9						
	<b>Cooling</b>	Passive				Active	Passive	
	<b>LED Connection</b>	Parallel Connection						



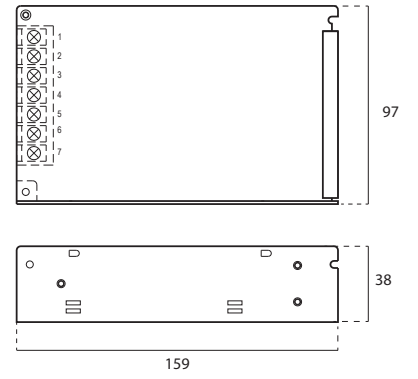
Cover plate with rivets for 75/100/150W  
3.01.0074 (not included)

On Request	<b>Article No.</b>	<b>Description</b>
	3.01.0074	Cover plate for LED Driver Idis 75/100/150W with rivets

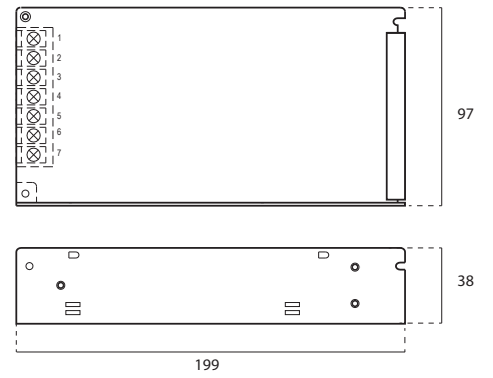
75W



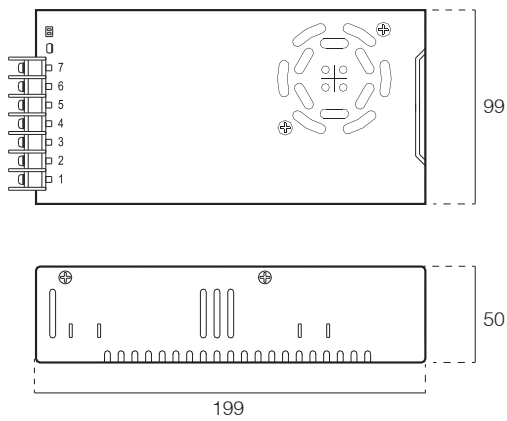
100W



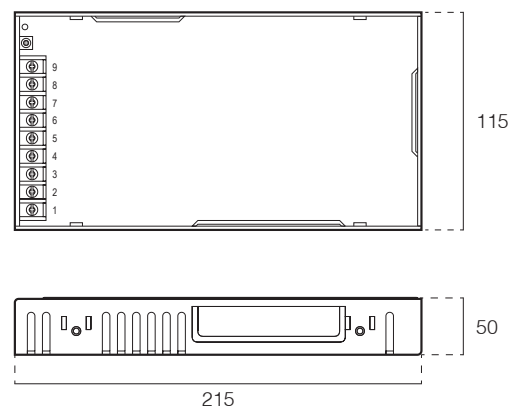
150W



12V 200W



24V 200W



Article No.	Product Name
3.10.0231	LED Driver CV Idis 12V DC 75W
3.10.0085	LED Driver CV Idis 12V DC 100W
3.10.0086	LED Driver CV Idis 12V DC 200W
3.10.0232	LED Driver CV Idis 24V DC 75W
3.10.0088	LED Driver CV Idis 24V DC 100W
3.10.0230	LED Driver CV Idis 24V DC 150W
3.10.0506	LED Driver CV Idis RSP 24V DC 200W