

Ozola

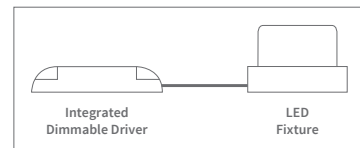
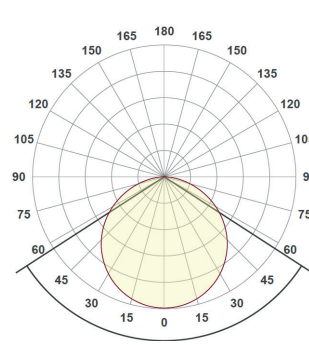
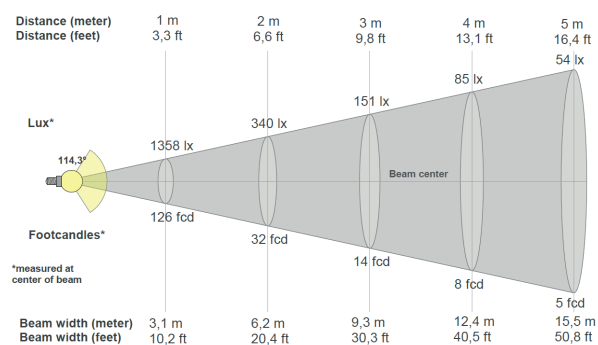
Wall Mounted / Ceiling Mounted / Pendant
LED

Switchable: 3000K / 3500K / 4000K

Adjustable light output: 100% / 75% / 50%

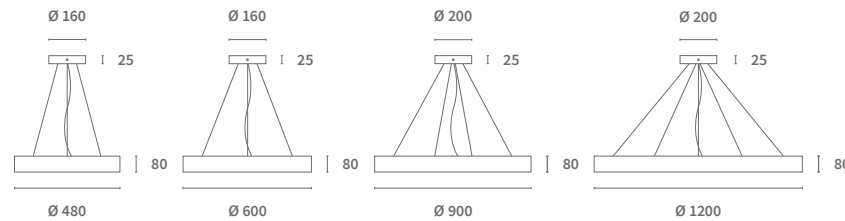
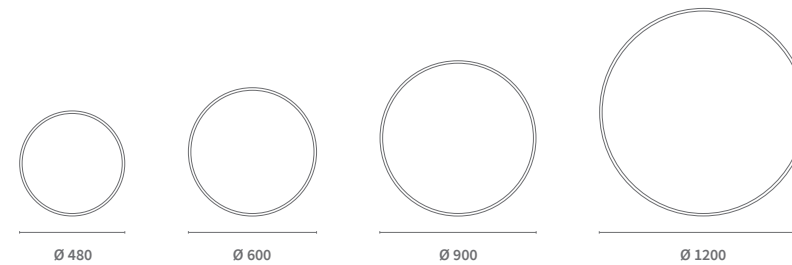


Size	480mm			600mm			900mm			1200mm		
System Power	40W			57W			92W			150W		
CRI	>80Ra											
CCT	3000K	3500K	4000K	3000K	3500K	4000K	3000K	3500K	4000K	3000K	3500K	4000K
System Lumen	3330lm	3480lm	3510lm	5220lm	5540lm	5575lm	7540lm	7850lm	7900lm	14450lm	14900lm	14630lm
System Efficacy	83lm/W	87lm/W	88lm/W	92lm/W	97lm/W	98lm/W	82lm/W	85lm/W	86lm/W	96lm/W	99lm/W	98lm/W
Driver	DALI Dimmable Driver (included)											
L-B values (50.000 hr)	L80B10 (50.000h)											

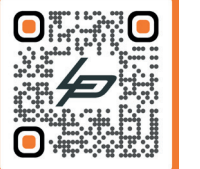


PRODUCT LIST

Article No.	Product Name	Color	CCT	CRI	System Lumen	System Power	System Efficacy	Size
2.17.2633	Ozola	Grey	4000K	>80Ra	3510lm	40W	88lm/W	480mm
2.17.2634	Ozola	White	4000K	>80Ra	3510lm	40W	88lm/W	480mm
2.17.2635	Ozola	Black	4000K	>80Ra	3510lm	40W	88lm/W	480mm
2.17.2636	Ozola	Grey	4000K	>80Ra	5575lm	57W	98lm/W	600mm
2.17.2637	Ozola	White	4000K	>80Ra	5575lm	57W	98lm/W	600mm
2.17.2638	Ozola	Black	4000K	>80Ra	5575lm	57W	98lm/W	600mm
2.17.2639	Ozola	Grey	4000K	>80Ra	7900lm	92W	86lm/W	900mm
2.17.2640	Ozola	White	4000K	>80Ra	7900lm	92W	86lm/W	900mm
2.17.2641	Ozola	Black	4000K	>80Ra	7900lm	92W	86lm/W	900mm
2.17.2642	Ozola	Grey	4000K	>80Ra	14630lm	150W	98lm/W	1200mm
2.17.2643	Ozola	White	4000K	>80Ra	14630lm	150W	98lm/W	1200mm
2.17.2644	Ozola	Black	4000K	>80Ra	14630lm	150W	98lm/W	1200mm



Surface



Delight Online



AVAILABLE PENDANTS SETS

Article No.	Description	Color	Article No.	Description	Color
2.01.1208	Pendant set for Ozola 480mm & 600mm	Grey	2.01.1213	Pendant set for Ozola 900mm	Black
2.01.1209	Pendant set for Ozola 480mm & 600mm	White	2.01.1215	Pendant set for Ozola 1200mm	White
2.01.1210	Pendant set for Ozola 480mm & 600mm	Black	2.01.1216	Pendant set for Ozola 1200mm	Black
2.01.1211	Pendant set for Ozola 900mm	Grey	2.01.1214	Pendant set for Ozola 1200mm	Grey
2.01.1212	Pendant set for Ozola 900mm	White			