

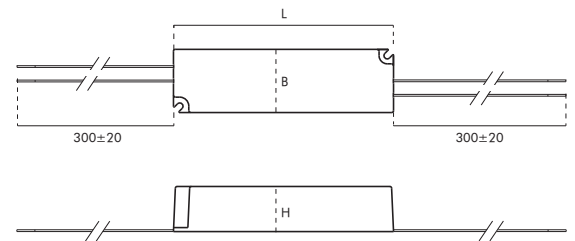
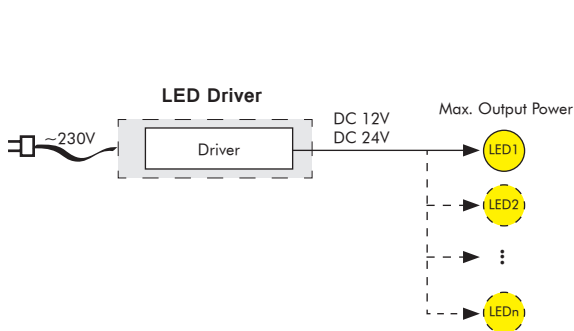
Idis LPV IP67 12/24V

LED Driver Constant Voltage

Non-Dimmable



Product Information	Input Voltage	230V AC					
	Output Voltage	24V DC	12V DC	24V DC	12V DC	24V DC	24V DC
	Output Current	Max. 1.5A	Max. 5A	Max. 2.5A	Max. 8.5A	Max. 4.2A	Max. 6.3A
	Output Power	Max. 35W	Max. 60W		Max. 100W		Max. 150W
	Power Factor	>0.9					
	LED Connection	Parallel Connection					



35W:	L= 148mm	B= 40mm	H= 30mm
60W:	L= 162.5mm	B= 42.5mm	H= 32mm
100W:	L= 190mm	B= 52mm	H= 37mm
150W:	L= 191mm	B= 63mm	H= 37.5mm

Product List	Article No.	Product Name
	3.10.0302	LED Driver CV Idis LPV IP67 12V DC 60W
	3.10.0303	LED Driver CV Idis LPV IP67 12V DC 100W
	3.10.0284	LED Driver CV Idis LPV IP67 24V DC 35W
	3.10.0304	LED Driver CV Idis LPV IP67 24V DC 60W
	3.10.0305	LED Driver CV Idis LPV IP67 24V DC 100W
3.10.0505	LED Driver CV Idis LPV IP67 24V DC 150W	