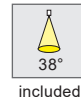
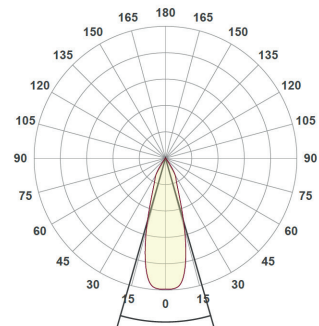
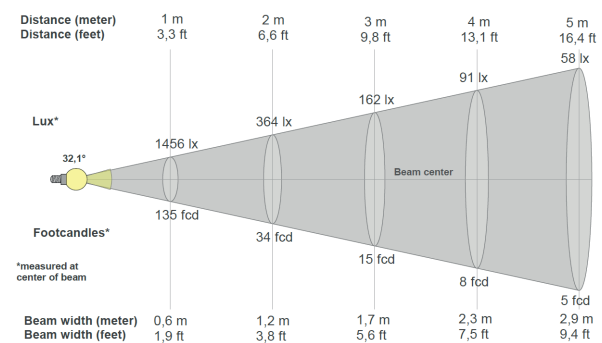
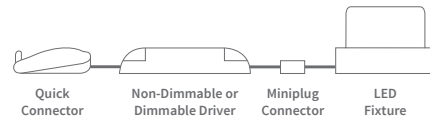


Smooth V2

Spot Light
Round Turn-tiltable

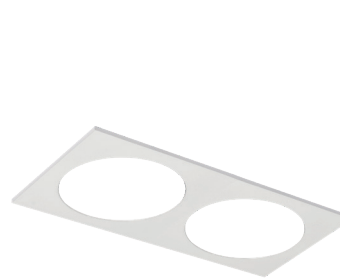
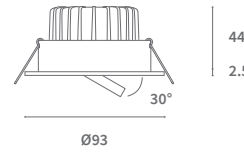


System Power	7.6W	
CRI	>90Ra	
CCT	2700K	3000K
System Lumen	542lm	603lm
System Efficacy	71lm/W	79lm/W
LOR	>70%	
Driver	350mA Non-Dimmable or Dimmable Driver (included)	
L+B values (50.000 hr)	L80B10 (50.000h)	



Article No.	Product Name	Color	CCT	CRI	System Lumen	System Power	System Efficacy	Reflector	Cutout size
2.11.3174 / 2.11.3175¹	Smooth V2 Round turn-/tiltable	Aluminium	2700K	>90Ra	542lm	7.6W	71lm/W	38°	Ø 75mm
2.11.3177 / 2.11.3178¹	Smooth V2 Round turn-/tiltable	Sandy White	2700K	>90Ra	542lm	7.6W	71lm/W	38°	Ø 75mm
2.11.3180 / 2.11.3181¹	Smooth V2 Round turn-/tiltable	Aluminium	3000K	>90Ra	603lm	7.6W	79lm/W	38°	Ø 75mm
2.11.3183 / 2.11.3184¹	Smooth V2 Round turn-/tiltable	Sandy White	3000K	>90Ra	603lm	7.6W	79lm/W	38°	Ø 75mm

¹Article No. with ¹ indicates dimmable driver is included.



2-light Ceiling Frame
Cutout Size 80 x 155mm
(not included)



AVAILABLE BEAM ANGLES		
Article No.	Description	Color
2.01.0720	2-light Ceiling Frame for Smooth V2 8.4W Spot Light	Aluminium
2.01.0721	2-light Ceiling Frame for Smooth V2 8.4W Spot Light	White
-----	For 2-light Smooth V2 8.4W Tiltable, please order 2 x single lights and 1 x 2-light Ceiling Frame.	

AVAILABLE DRIVERS	
Article No.	Description
-----	DALI Dimmable driver
-----	1-10V Dimmable driver