

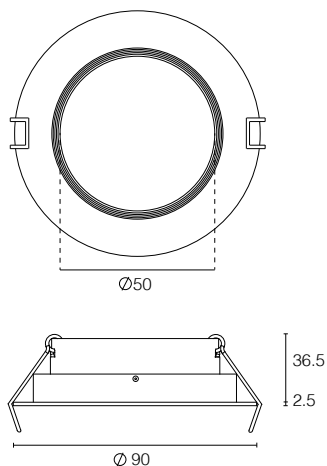


Smooth Deep

***Halogen Spot Light**

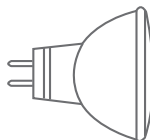
Fixed Round / MR16 (50mm)

***Compatible with most MR16 LED Bulbs**



Product Information	Power	Maximum 50W
	Input Voltage	12V
	Lamp Holder	GX5.3 (included)
	Lamp Type	MR16 (not included)
	Electronic Transformer	not included

* Photometric information is determined by different lamp bulbs chosen.



MR16 (50mm) GX5.3

* Optional lamp bulbs on request



Compatible with MR16 LED Bulbs

Accessories	Inclusive			Exclusive (On Request)	
	NO.	Description	Quantity	Article No.	Description
	1.	GX5.3 lamp holder	1	5.04.0407	GU10/GZ10 lamp holder with 20cm fiber glass
			see page 359	MR16 LED module	

Article Number	Product Name	Material	Lamp Type	Input Voltage	Power	Cutout Size
2.11.0486	Halogen Spot Smooth round fixed deepens	Aluminium	MR16 (50mm)	12V	Max. 50W	Ø 70mm