




# Smooth

## \*Halogen Spot Light

Fixed / Versatile Square

\*Compatible with most MR16 LED Bulbs



1-Lamp Fixed	<b>Cutout Size</b>	 Ø 70mm
2-Lamp Versatile	<b>Cutout Size</b>	 82*165mm
3-Lamp Versatile	<b>Cutout Size</b>	 82*245mm

12V

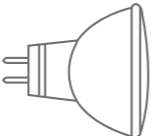

Max.  
50W

MR16

Voltage      Power      Lamp Type



Product Information	<b>Power</b>	Maximum 50W
	<b>Input Voltage</b>	12V
	<b>Lamp Holder</b>	GX5.3 (included)
	<b>Lamp Type</b>	MR16 (not included)
	<b>Electronic Transformer</b>	not included





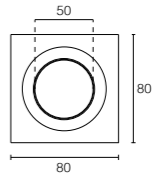
MR16 (50mm) GX5.3      \* Optional lamp bulbs on request      **Compatible with most MR16 LED Bulbs**

\* Photometric information is determined by different lamp bulbs chosen.

1-Lamp  
Fixed


**Cutout  
Size**

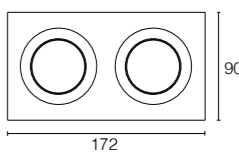
 Ø 70mm



2-Lamp  
Versatile


**Cutout  
Size**

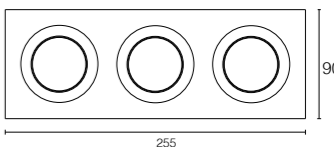
 82\*165mm



3-Lamp  
Versatile

**Cutout  
Size**

 82\*245mm



Accessories	Inclusive			Exclusive (On Request)	
	NO.	Description	Quantity	Article No.	Description
	1.	GX5.3 lamp holder	1	5.04.0407	GU10/GZ10 lamp holder with 20cm fiber glass
			see page 359	MR16 LED module	

Article Number	Product Name	Material	Lamp Type	Input Voltage	Power	Cutout Size
2.11.0468	Halogen Spot Smooth square 1-lamp fixed	Aluminium	MR16 (50mm)	12V	Max. 50W	Ø 70mm
2.11.0392	Halogen Spot Smooth rectangle 2-lamp versatile	Aluminium	MR16 (50mm)	12V	Max. 100W	82*165mm
2.11.0393	Halogen Spot Smooth rectangle 3-lamp versatile	Aluminium	MR16 (50mm)	12V	Max. 150W	82*245mm